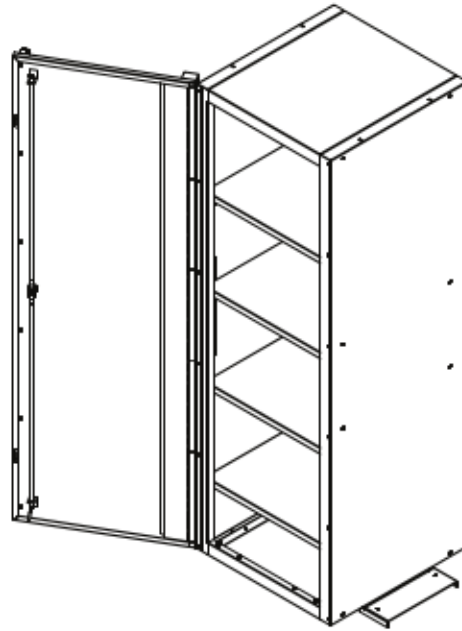


19" Painted Steel Side Locker
with 4 Shelves

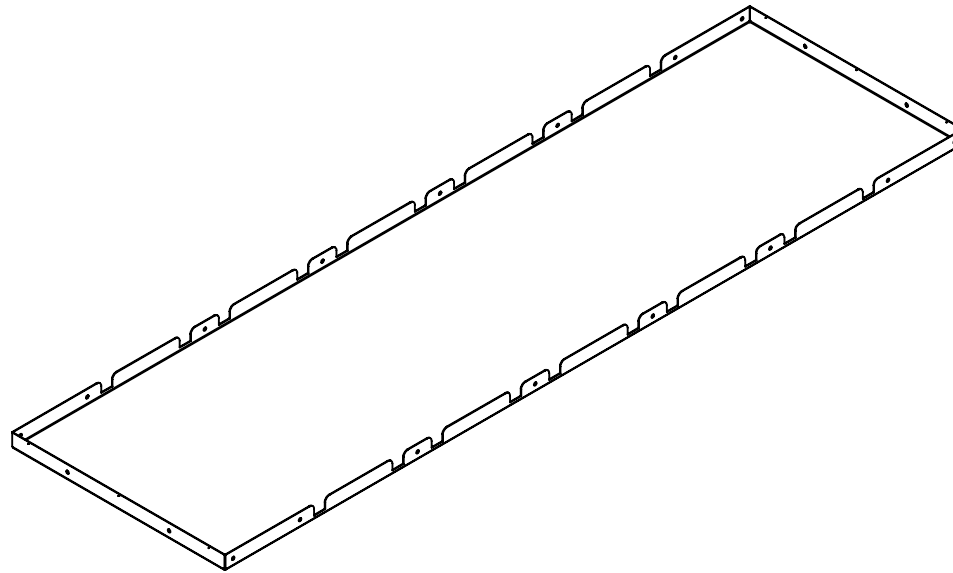


Model: DX192100SL

Clark Heintz Tools & Equipment, LLC
RollCabs.com
also sold by NHProEquip.com
1298 Route 3A
Bow, NH 03304
603.234.2612

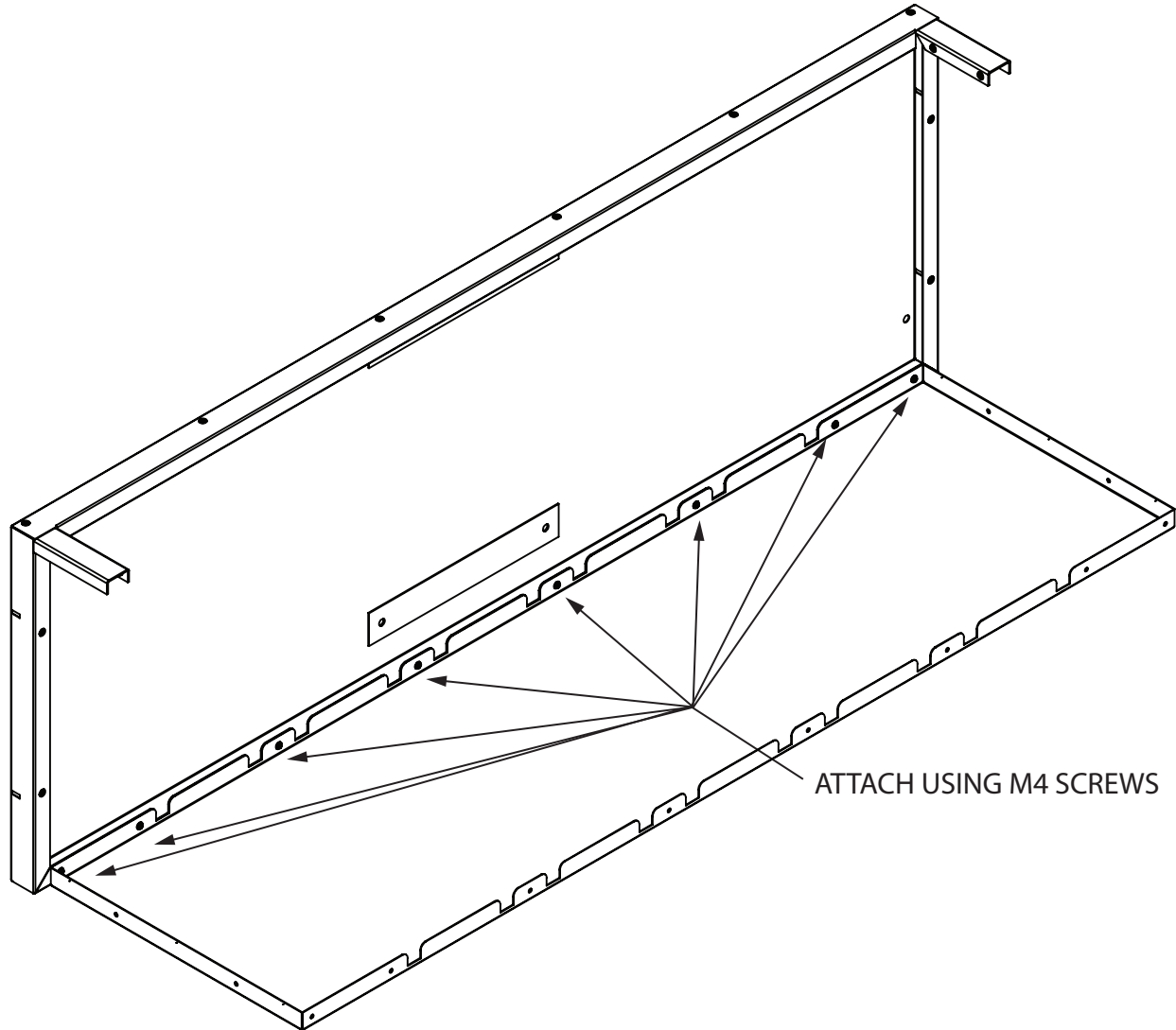
STEP 1:

LAY BACK PANEL FLAT ON PACKING MATERIAL OR BLANKET.



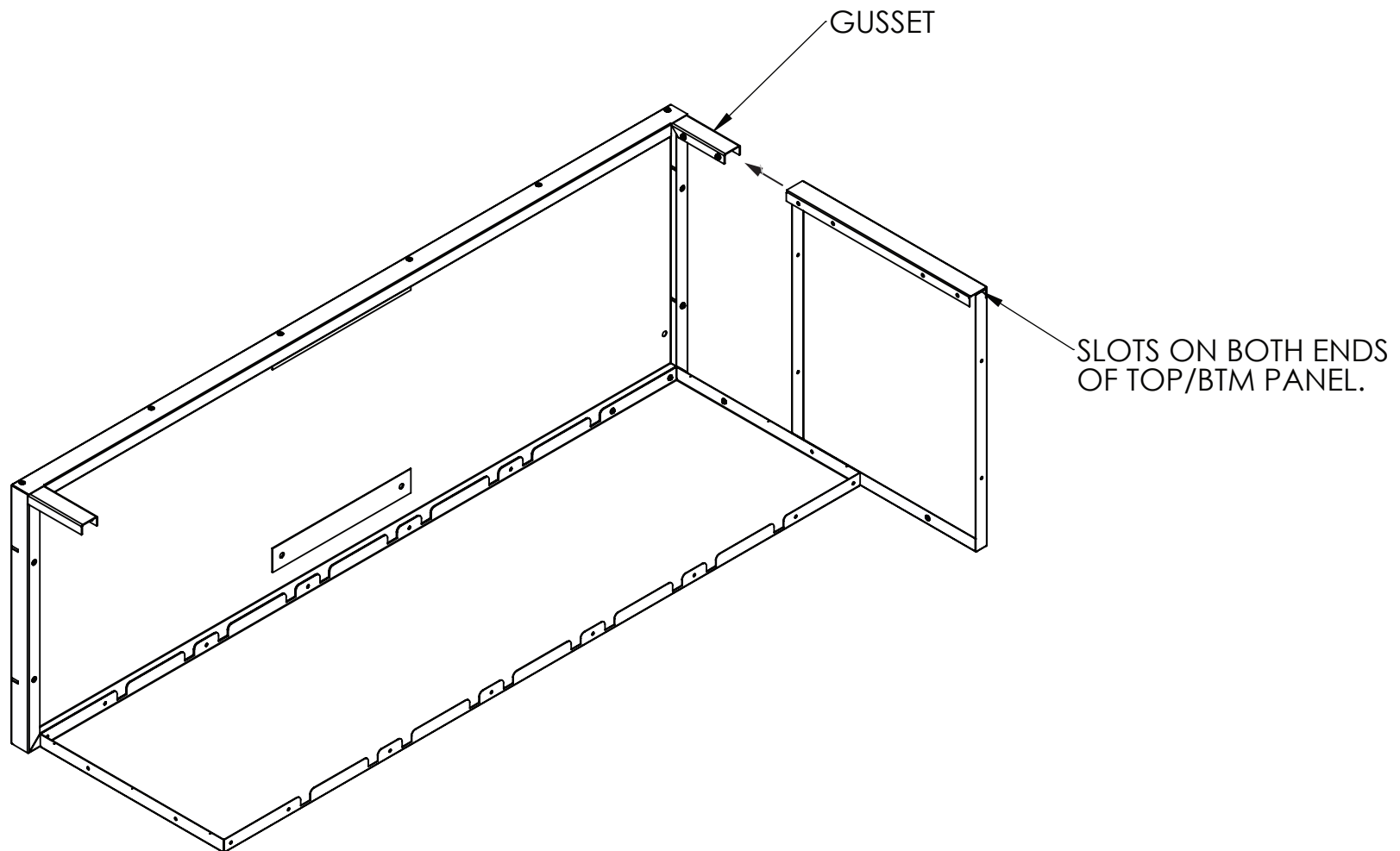
STEP 2:

POSITION 1 SIDE PANEL ASSEMBLY PERPENDICULAR TO THE BACK PANEL.
ASSEMBLE PARTS USING (8) M4 SCREWS.



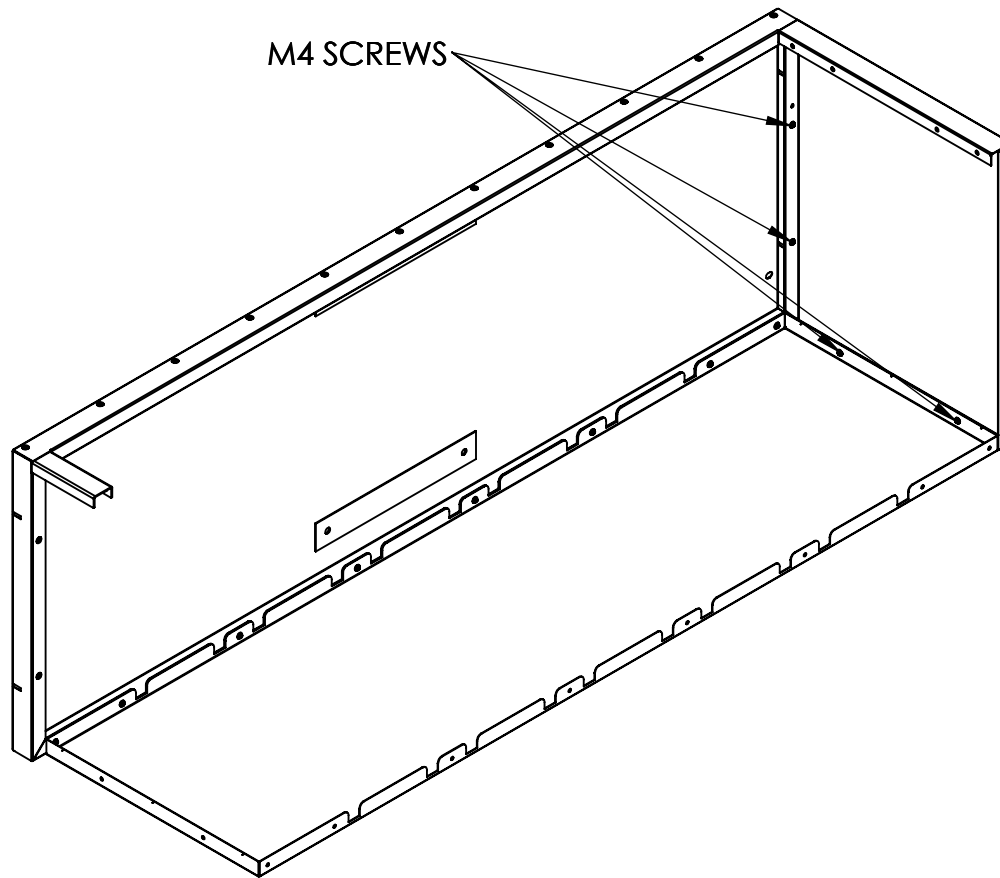
STEP 3:

SLIDE A TOP/BOTTOM PANEL THROUGH ITS SLOT ON TO THE GUSSET OF THE SIDE PANEL.



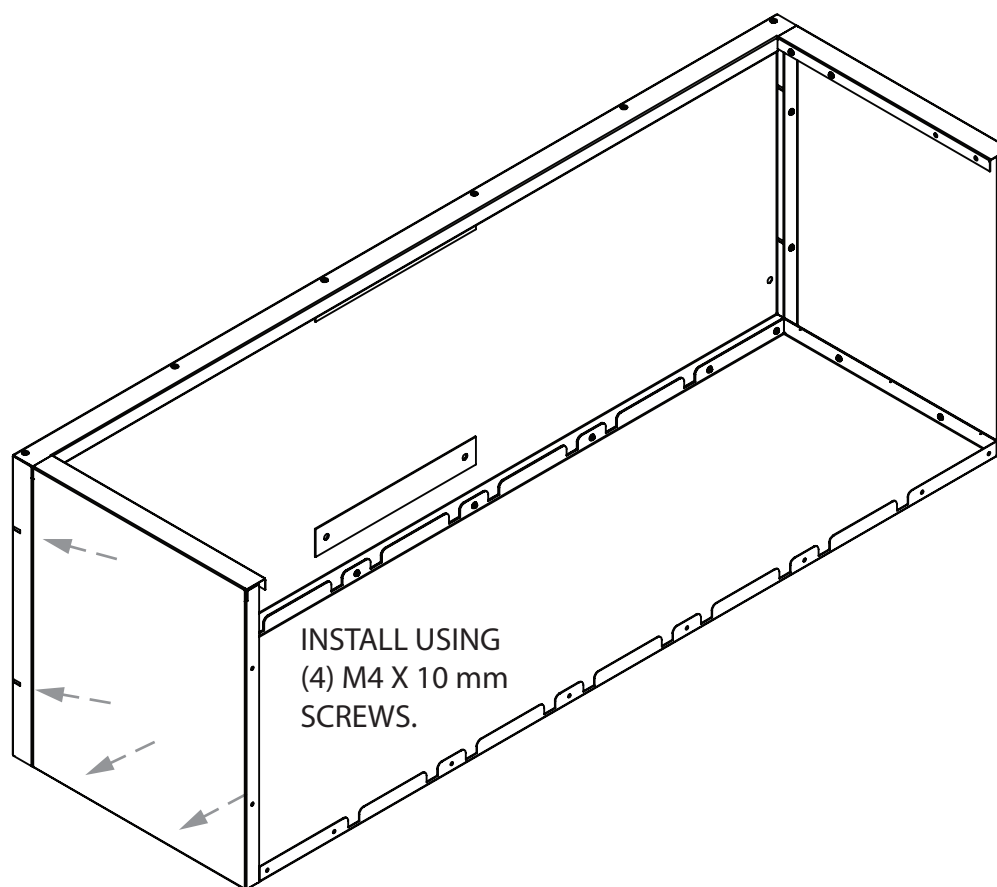
STEP 4:

SECURE TOP/BOTTOM PANEL USING (4) M4 SCREWS



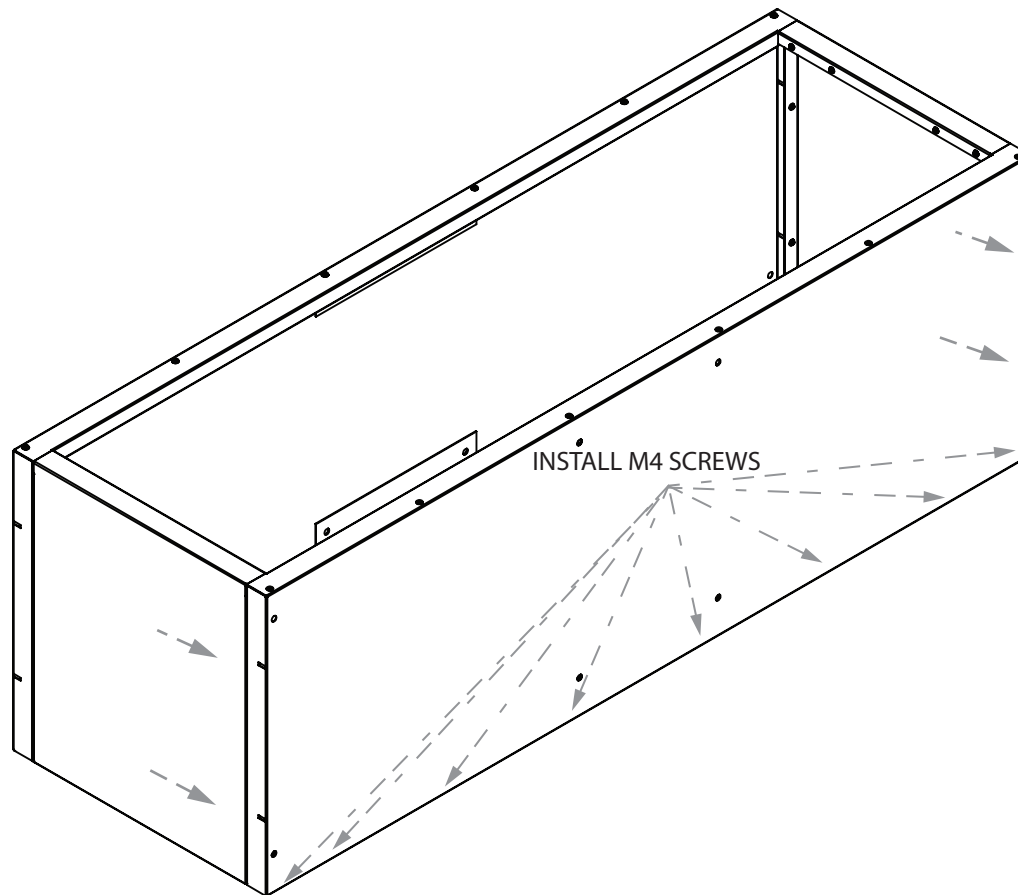
STEP 5:

REPEAT STEP 4 TO ADD THE OTHER TOP/BOTTOM PANEL.



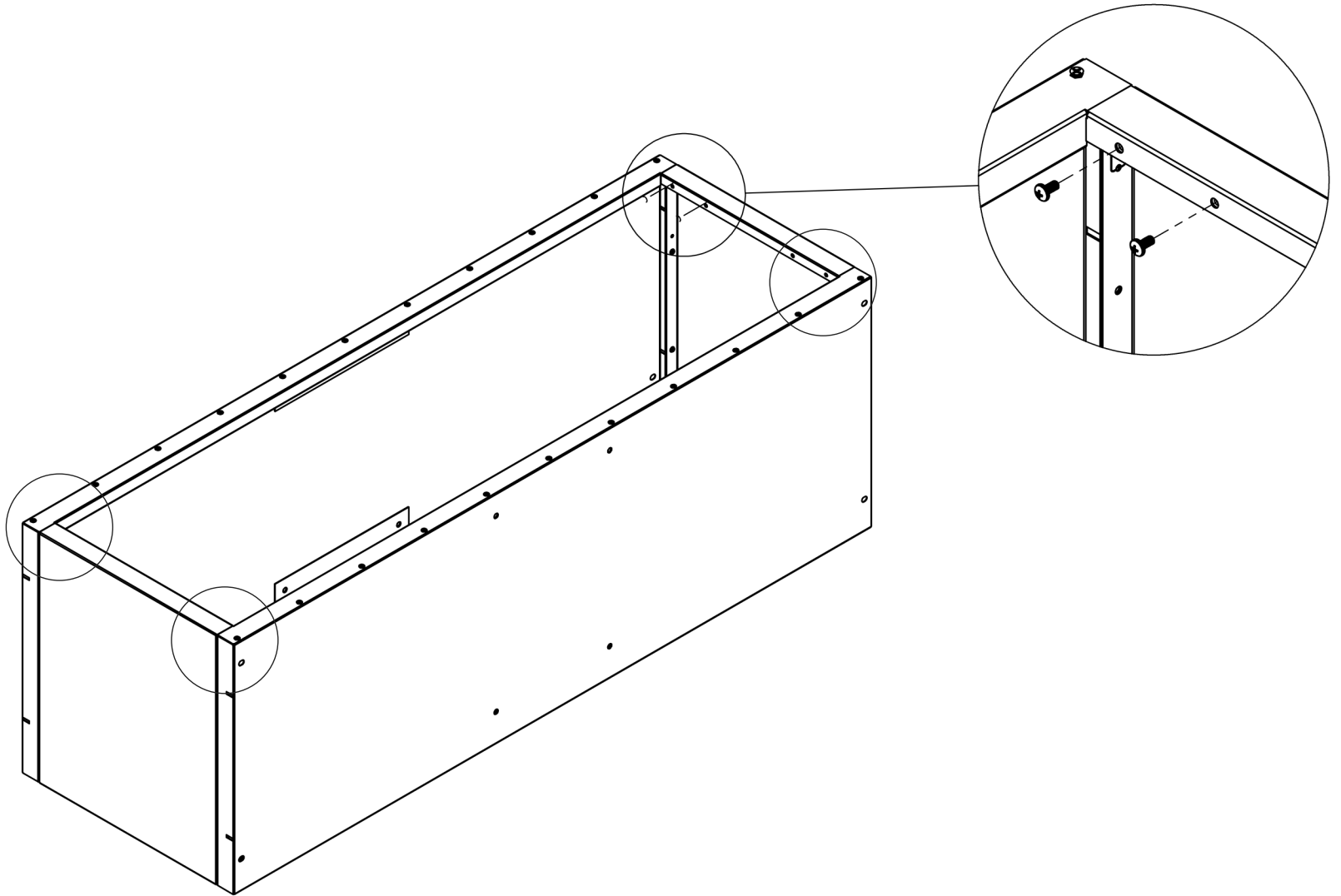
STEP 6:

ADD THE OTHER SIDE PANEL ASSEMBLY BY INSERTING THE ATTACHED GUSSETS THROUGH THE SLOTS OF THE TOP AND BOTTOM PANELS AND SECURE WITH M4 SCREWS



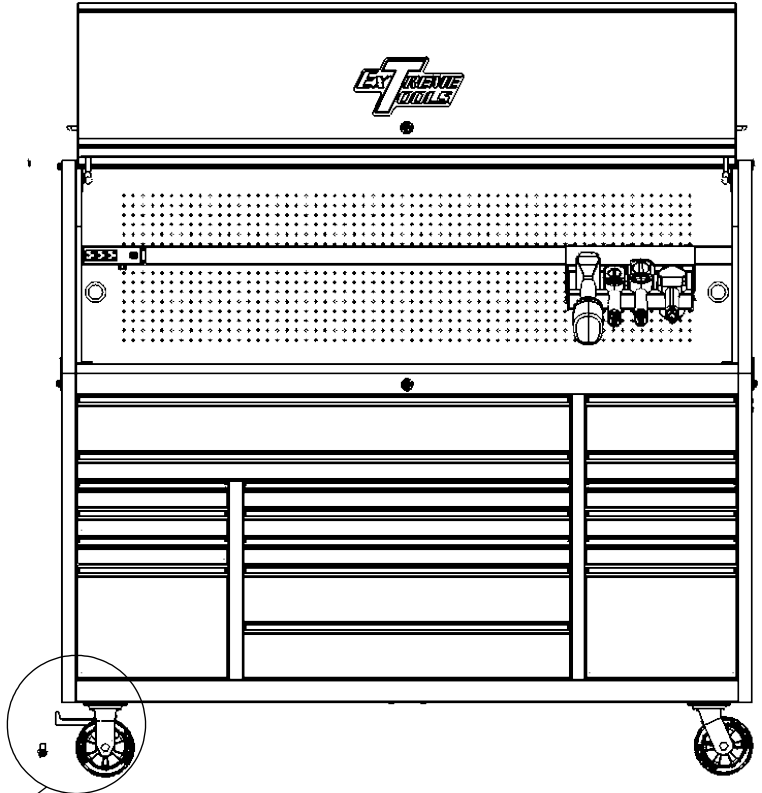
STEP 7:

USE (8) M5 X 10 mm SCREWS TO SECURE ALL 4 GUSSETS TO TOP/BOTTOM PANELS. (2) SCREWS PER GUSSET.

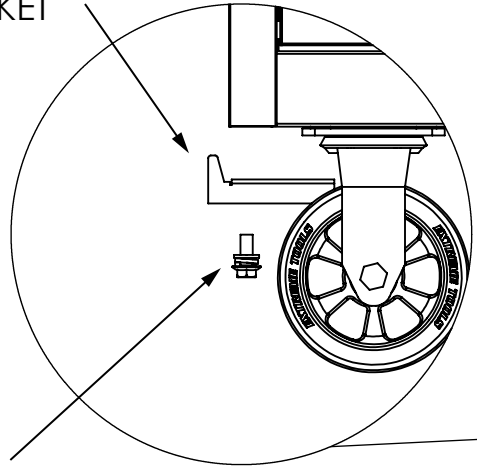


STEP 8: CAUTION: APPLY BRAKES ON CASTERS BEFORE BEGINNING THIS STEP!!!

- SET ASSEMBLED BODY ON THE FLOOR.
- ATTACH MOUNTING/SUPPORT BRACKET ON THE BOTTOM SUPPORT CHANNEL OF THE ROLLER CABINET WITH (2) M10 X 25 BOLT & WASHERS.



SUPPORT MOUNTING BRACKET

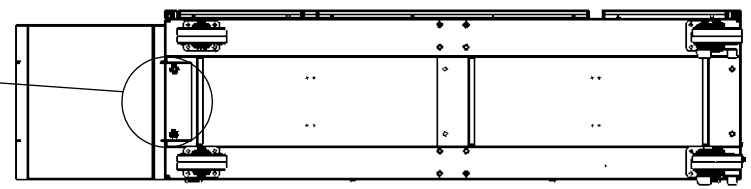
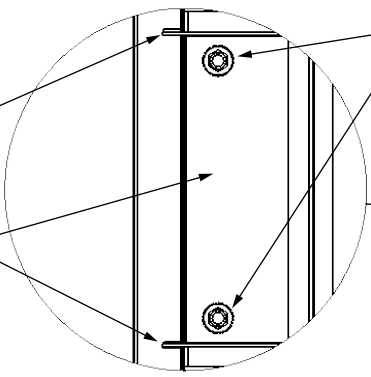


(2) M10 X 25 BOLTS & WASHERS

M10 X 25 BOLTS & WASHERS

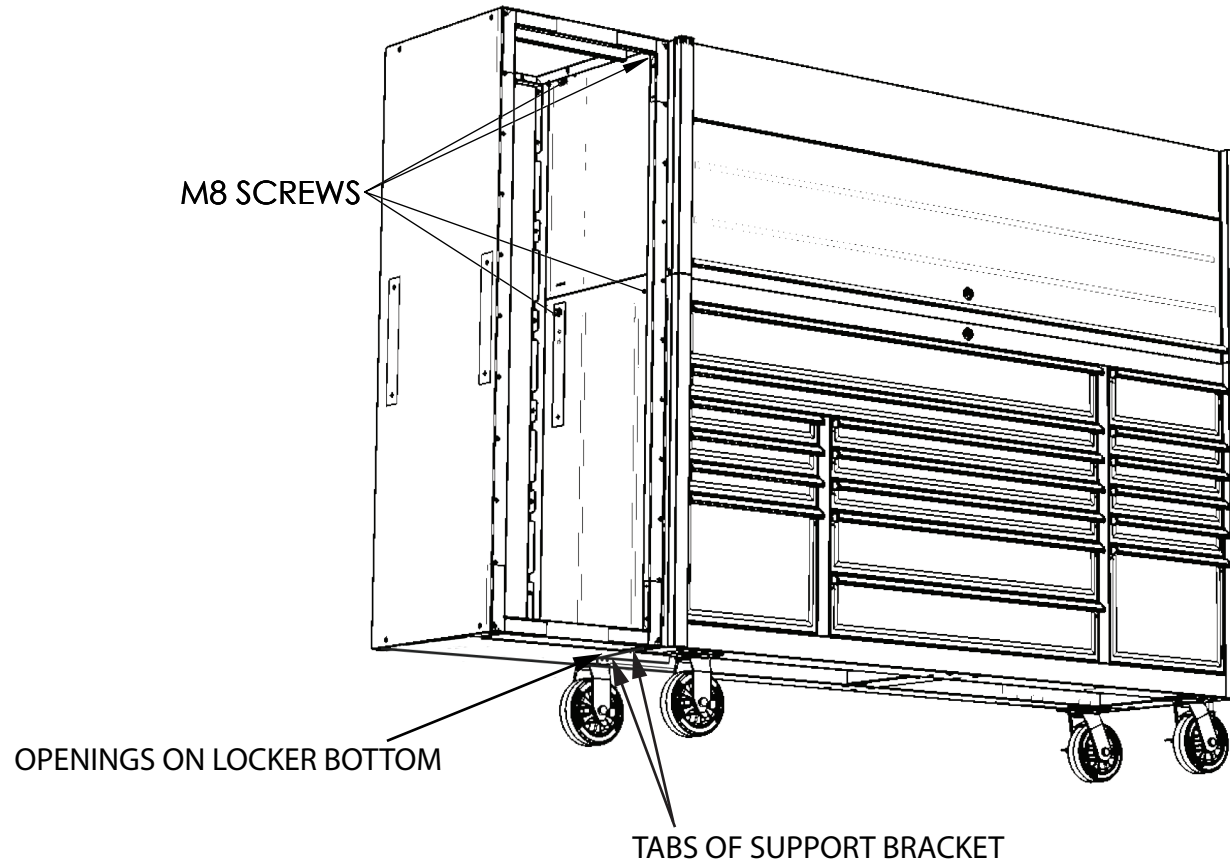
SLOTS ON BOTTOM OF UNIT

SUPPORT BRACKET



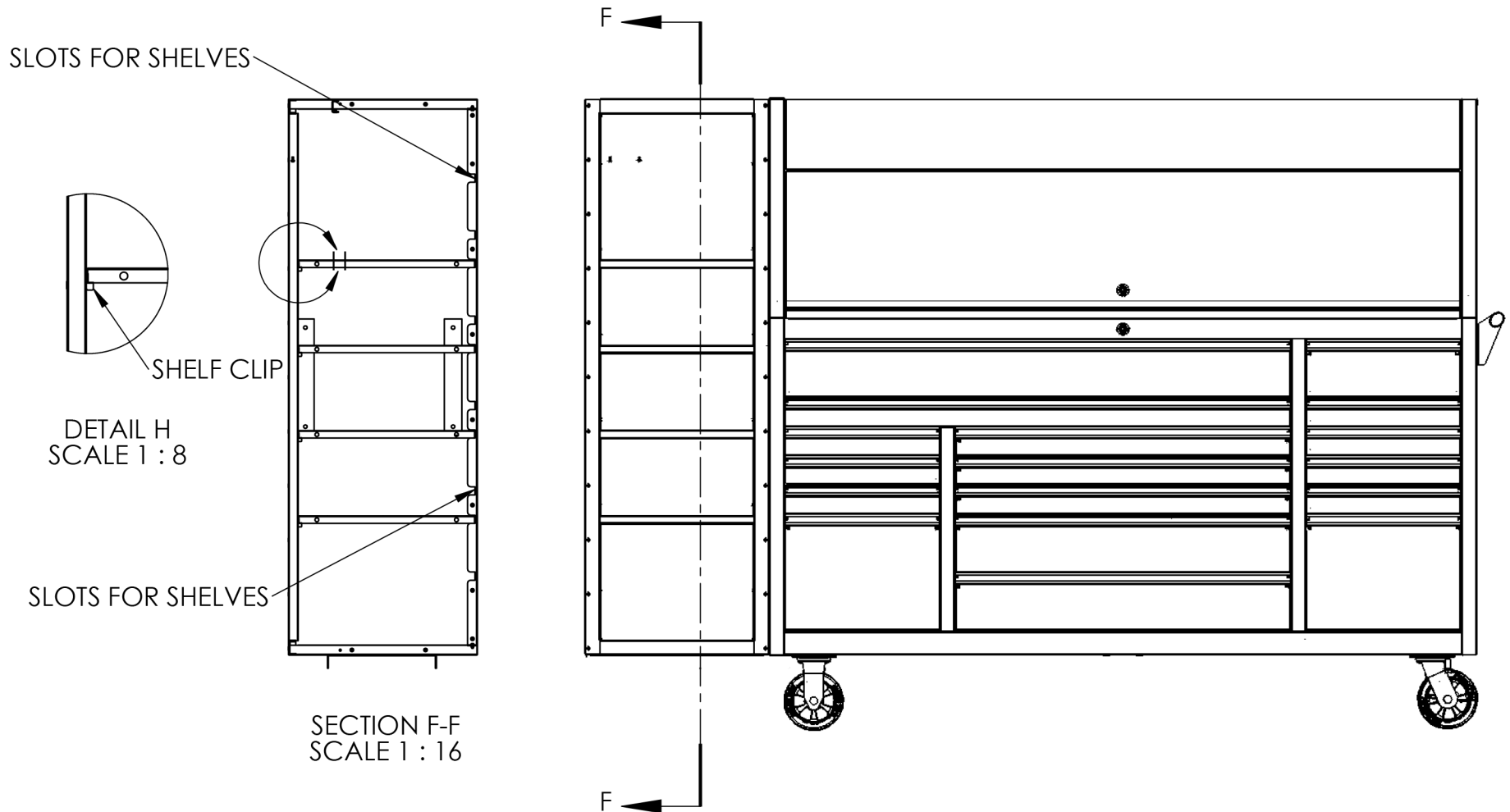
STEP 9: SIDE LOCKER IS HEAVY! AND REQUIRES ASSISTANCE TO LIFT AND POSITION ON BRACKET.

POSITION LOCKER BODY ON TO THE SUPPORT BRACKET MAKING SURE THAT THE (2) TABS OF THE SUPPORT BRACKET ARE ENGAGED IN THE (2) OPENINGS AT THE BOTTOM OF THE LOCKER BODY. SECURE LOCKER BODY TO THE HUTCH AND ROLLER CABINET WITH (4) M8 SCREWS.



STEP 10:

INSTALL SHELVES IN THE DESIRED POSITIONS BY INSERTING THE REAR EDGE OF EACH SHELF TO THE SLOTS ON THE BACK PANEL. INSERT SHELF CLIPS ON THE OPPOSITE END OF THE SLOTS.



STEP 11:

WITH THE HELP OF ANOTHER PERSON, ATTACH THE DOOR USING (11) M4 FLAT-HEAD SCREWS.

